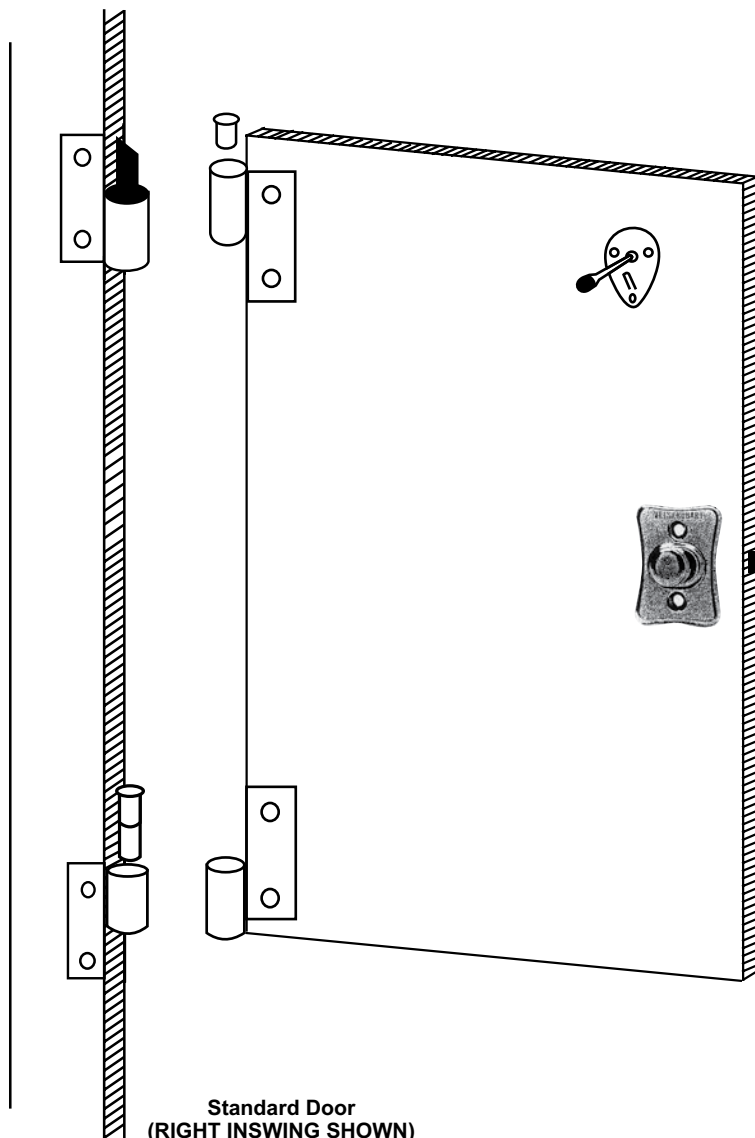


WEIS / **Robart** **Partitions, Inc.**

Since 1876

ERECTION DETAILS AND ELEVATIONS **BAKED ENAMEL • PLASTIC LAMINATE • FIBER-TEX**

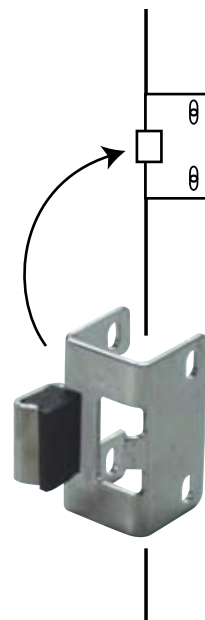


Standard Door
(RIGHT INSWING SHOWN)

CONSULT NATIONAL, STATE & LOCAL
BUILDING CODES PRIOR TO ORDERING
AND/OR INSTALLING TOILET PARTITIONS.

INSTALL TOILET PARTITIONS AND SCREENS IN STRICT
ACCORDANCE WITH APPROVED SHOP DRAWINGS.

INSTALLER SHALL BE QUALIFIED TO INSTALL
TOILET PARTITIONS AND HAVE THE EXPERIENCE OF
COMPLETING SIMILAR PROJECTS WITHIN THIS INDUSTRY.



DRAW 3
REVISED
08/06 ELP

THE MANUFACTURER RESERVES THE RIGHT TO MAKE CHANGES AND/OR IMPROVEMENTS
IN DESIGNS & DIMENSIONS WITHOUT NOTICE AND WITHOUT INCURRING OBLIGATION.

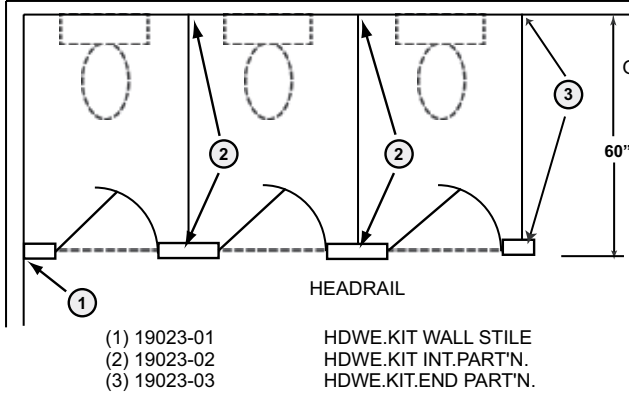
WEIS / Robart Partitions, Inc.

Since 1876

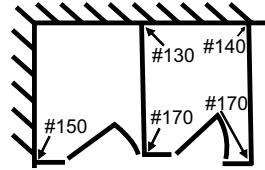
CONSULT NATIONAL, STATE & LOCAL BUILDING CODES PRIOR TO ORDERING AND/OR INSTALLING TOILET PARTITIONS.

INSTALL TOILET PARTITIONS AND SCREENS IN STRICT ACCORDANCE WITH APPROVED SHOP DRAWINGS.

INSTALLER SHALL BE QUALIFIED TO INSTALL TOILET PARTITIONS AND HAVE THE EXPERIENCE OF COMPLETING SIMILAR PROJECTS WITHIN THIS INDUSTRY.



OTHER DEPTHS AVAILABLE



1" chrome plated panel to wall bracket No. 140.



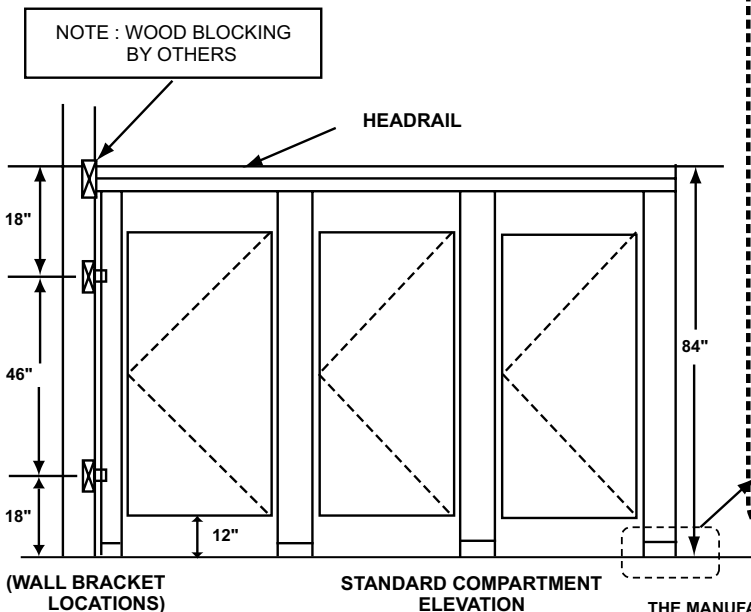
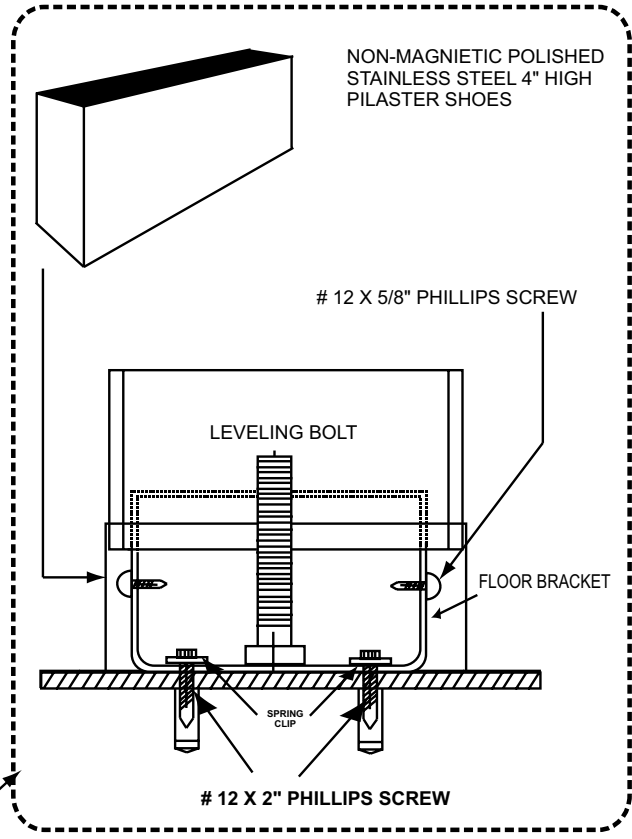
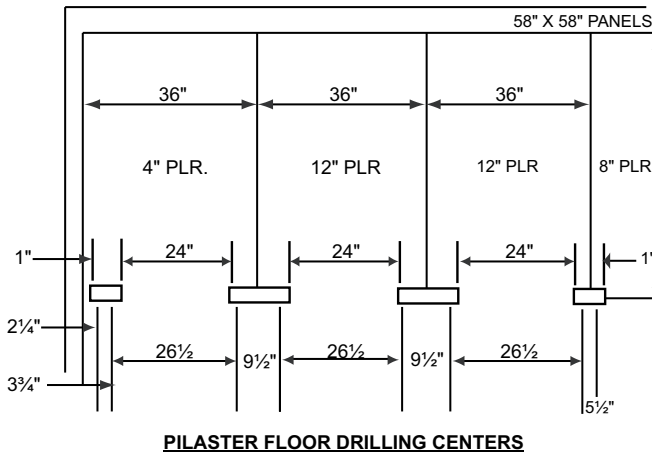
1" chrome plated panel to wall bracket. No. 130.



1" panel to pilaster, Chrome plated Bracket. No. 170.



1 1/4" chrome plated pilaster to wall bracket. No. 150.

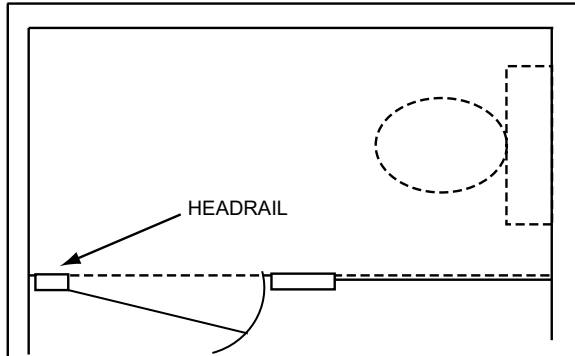


THE MANUFACTURER RESERVES THE RIGHT TO MAKE CHANGES AND/OR IMPROVEMENTS IN DESIGN & DIMENSIONS WITHOUT NOTICE AND WITHOUT INCURRING OBLIGATION

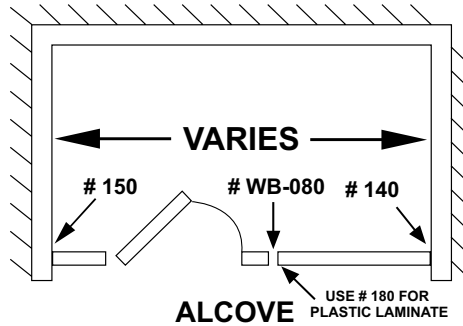
CONSULT NATIONAL, STATE & LOCAL BUILDING CODES PRIOR TO ORDERING AND/OR INSTALLING TOILET PARTITIONS.

INSTALL TOILET PARTITIONS AND SCREENS IN STRICT ACCORDANCE WITH APPROVED SHOP DRAWINGS.

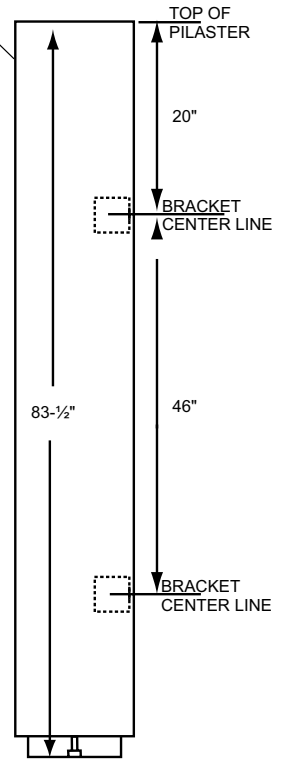
INSTALLER SHALL BE QUALIFIED TO INSTALL TOILET PARTITIONS AND HAVE THE EXPERIENCE OF COMPLETING SIMILAR PROJECTS WITHIN THIS INDUSTRY.



④ 19023-04 HDME. KIT ALCOVE



NOTE : LOCATION OF BRACKET ON PILASTER TO BE DETERMINED ON INSTALLATION DRAWING.



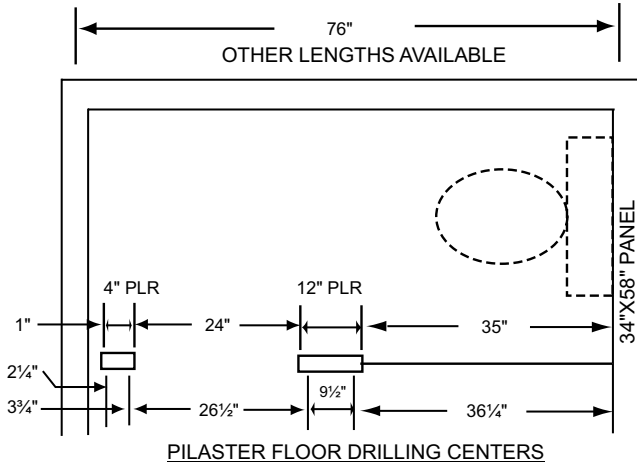
1" chrome plated panel to wall bracket No. 140.



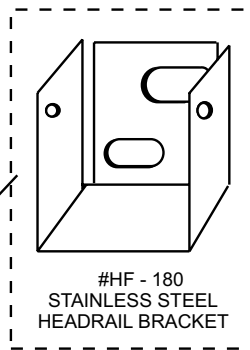
1-1/4" chrome plated pilaster to wall bracket No. 150.



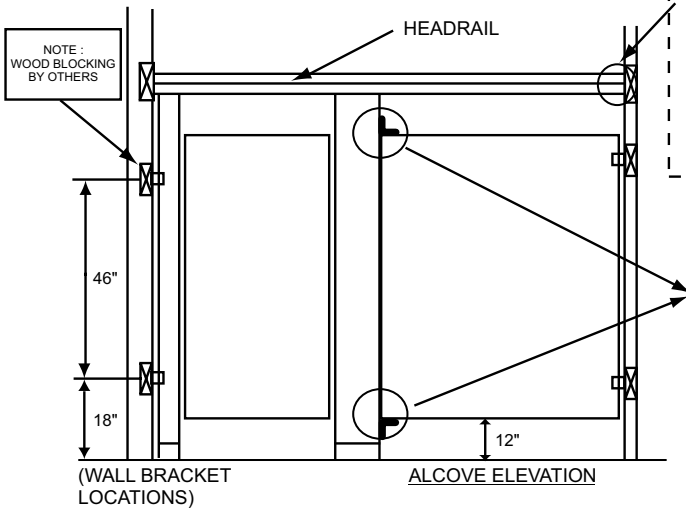
NO. 180 ALCOVE CLIP WITH 1/4" OFFSET FOR PLASTIC LAMINATED PARTITIONS



PILASTER FLOOR DRILLING CENTERS

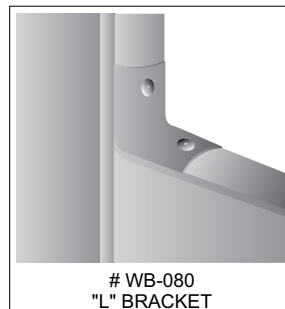


#HF - 180 STAINLESS STEEL HEADRAIL BRACKET

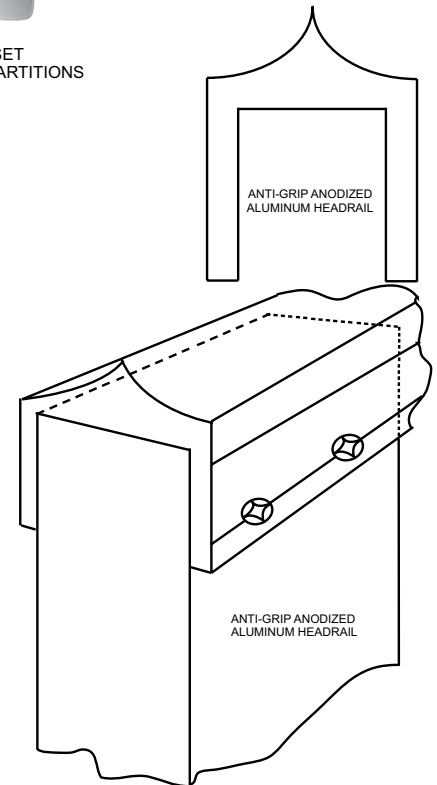


(WALL BRACKET LOCATIONS)

ALCOVE ELEVATION



#WB-080 "L" BRACKET



ANTI-GRIP ANODIZED ALUMINUM HEADRAIL

ANTI-GRIP ANODIZED ALUMINUM HEADRAIL

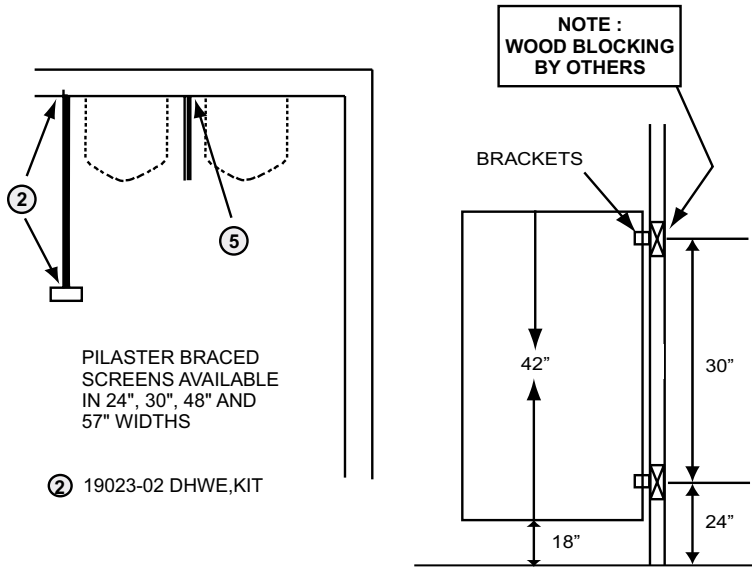
WEIS / Robart Partitions, Inc.

Since 1876

CONSULT NATIONAL, STATE & LOCAL BUILDING CODES PRIOR TO ORDERING AND/OR INSTALLING TOILET PARTITIONS.

INSTALL TOILET PARTITIONS AND SCREENS IN STRICT ACCORDANCE WITH APPROVED SHOP DRAWINGS.

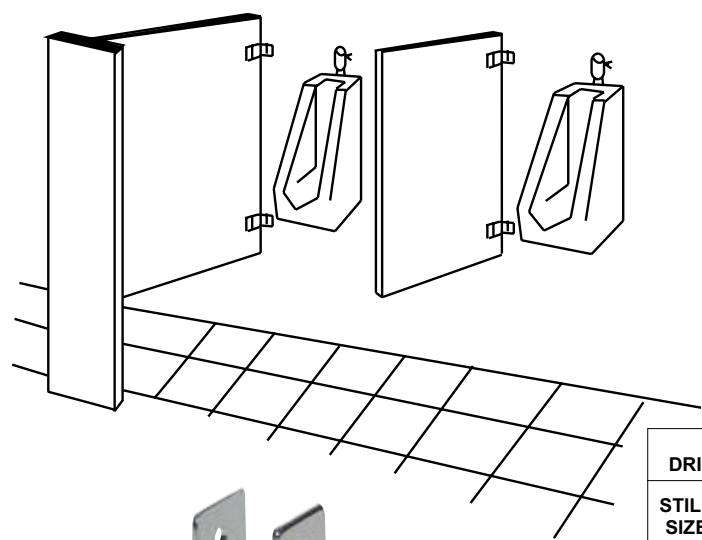
INSTALLER SHALL BE QUALIFIED TO INSTALL TOILET PARTITIONS AND HAVE THE EXPERIENCE OF COMPLETING SIMILAR PROJECTS WITHIN THIS INDUSTRY.



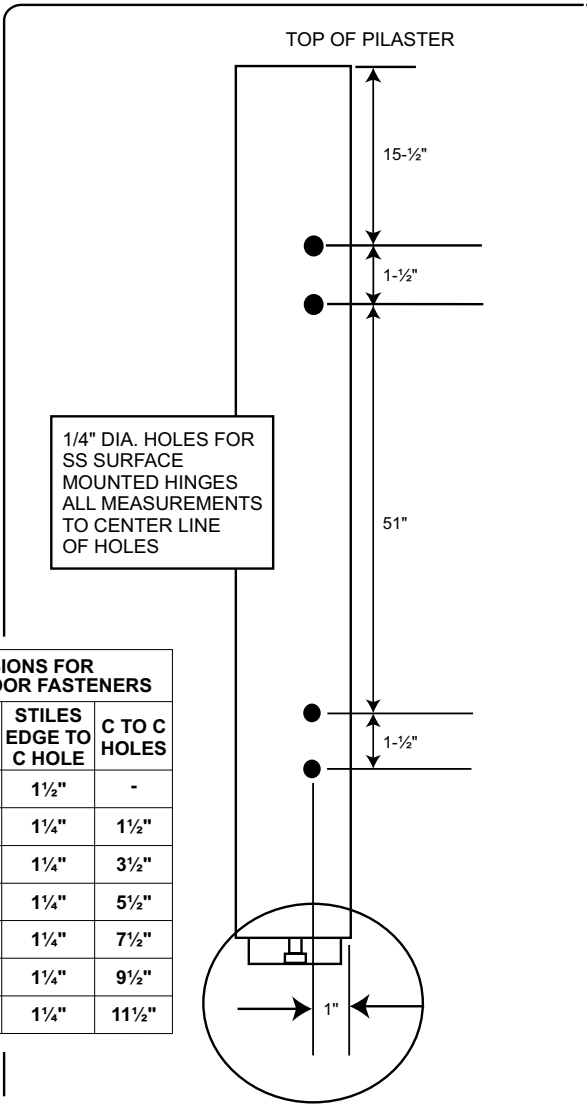
No. 130
1" Chrome plated,
panel to wall bracket



No. 170
1" Chrome plated,
panel to pilaster bracket



No. 190
1" Urinal Screen
bracket (3-1/2" high)



DIMENSIONS FOR DRILLING FLOOR FASTENERS			
STILE SIZE	NO. HOLES	STILES EDGE TO C HOLE	C TO C HOLES
3	1	1 1/2"	-
4	2	1 1/4"	1 1/2"
6	2	1 1/4"	3 1/2"
8	2	1 1/4"	5 1/2"
10	2	1 1/4"	7 1/2"
12	2	1 1/4"	9 1/2"
14	2	1 1/4"	11 1/2"

THE MANUFACTURER RESERVES THE RIGHT TO MAKE CHANGES AND/OR IMPROVEMENTS IN DESIGNS & DIMENSIONS WITHOUT NOTICE AND WITHOUT INCURRING OBLIGATION

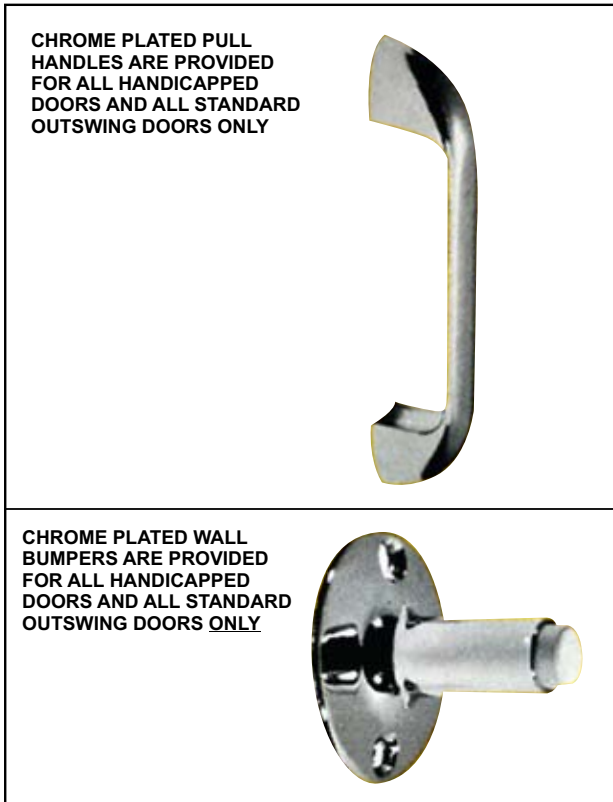
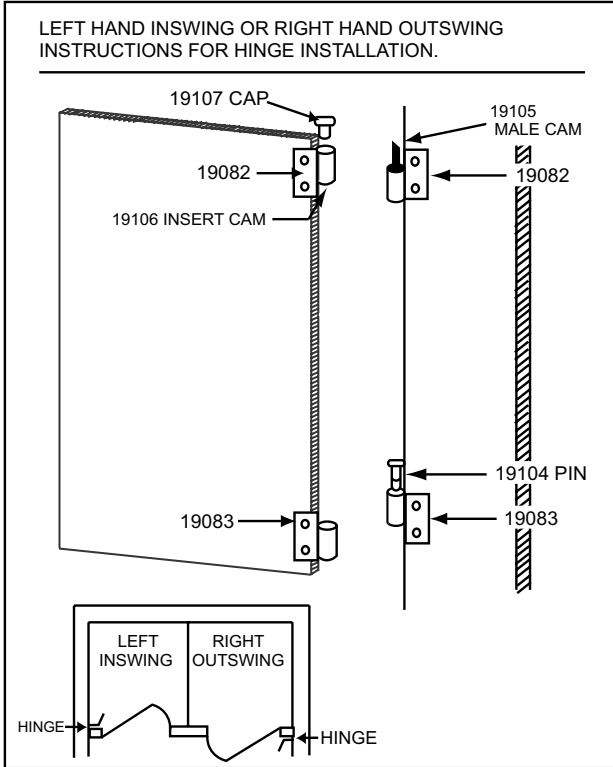
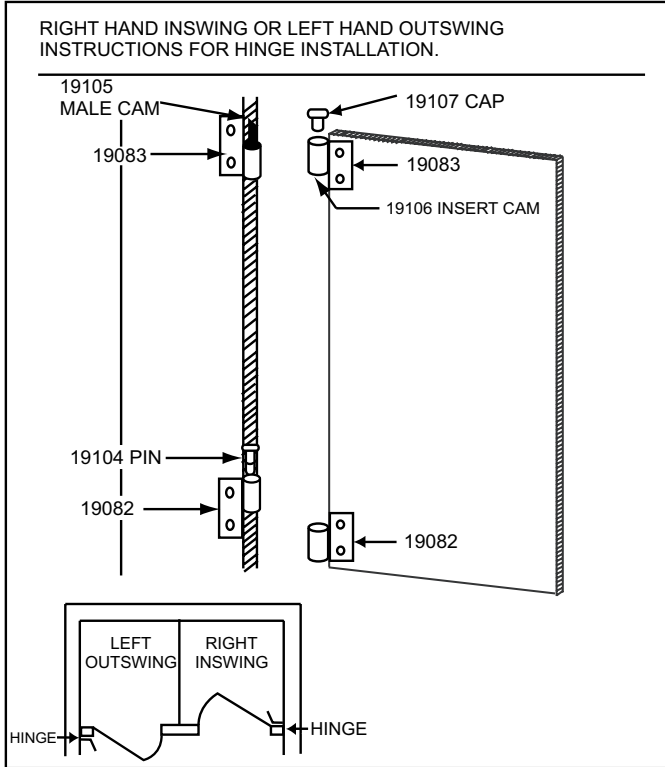
HINGE DRILLING

WEIS / **Robart**
Partitions, Inc.
 Since 1876

CONSULT NATIONAL, STATE & LOCAL BUILDING CODES PRIOR TO ORDERING AND/OR INSTALLING TOILET PARTITIONS.

INSTALL TOILET PARTITIONS AND SCREENS IN STRICT ACCORDANCE WITH APPROVED SHOP DRAWINGS.

INSTALLER SHALL BE QUALIFIED TO INSTALL TOILET PARTITIONS AND HAVE THE EXPERIENCE OF COMPLETING SIMILAR PROJECTS WITHIN THIS INDUSTRY.



THE MANUFACTURER RESERVES THE RIGHT TO MAKE CHANGES AND/OR IMPROVEMENTS IN DESIGNS & DIMENSIONS WITHOUT NOTICE AND WITHOUT INCURRING OBLIGATION

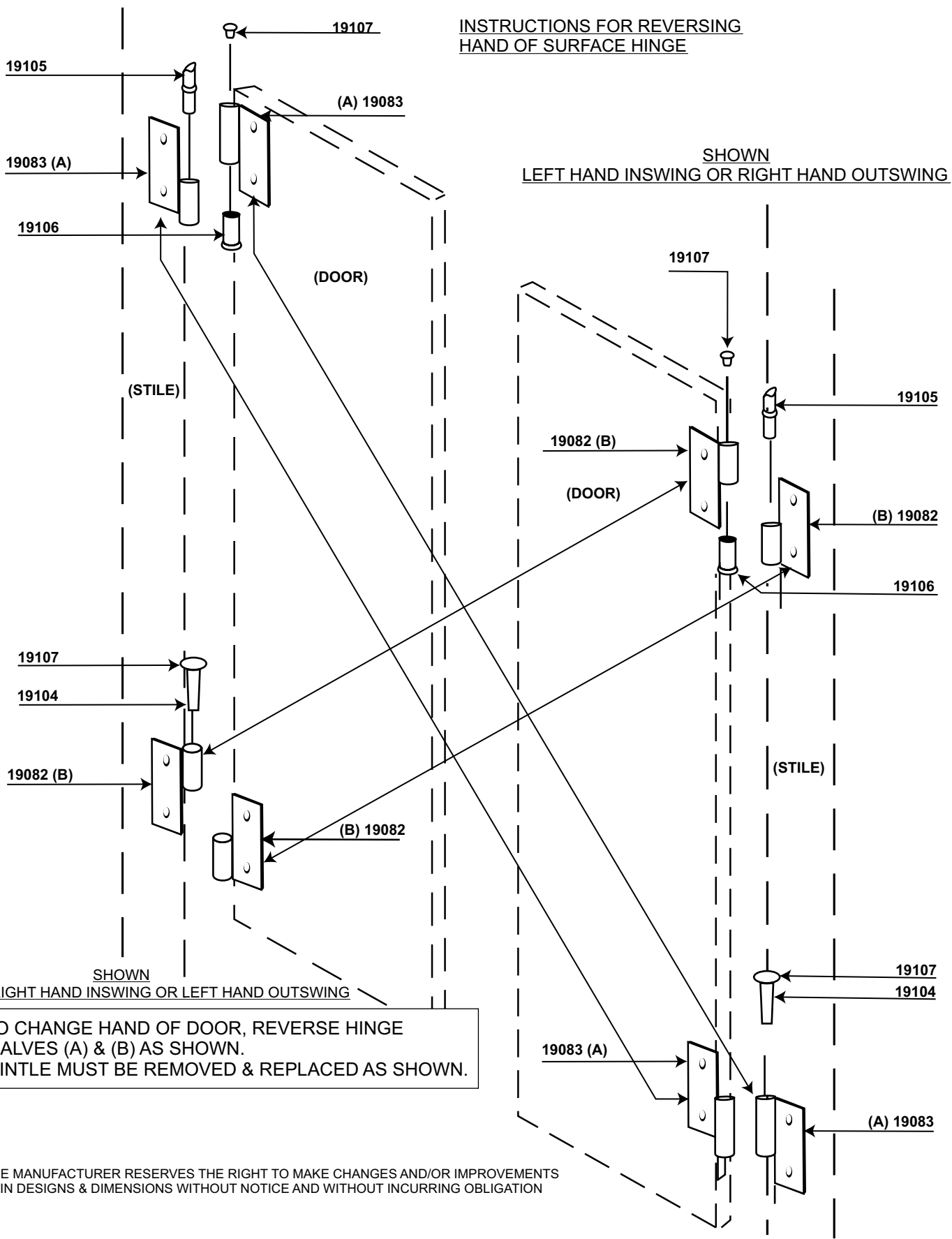
CONSULT NATIONAL, STATE & LOCAL BUILDING CODES PRIOR TO ORDERING AND/OR INSTALLING TOILET PARTITIONS.

INSTALL TOILET PARTITIONS AND SCREENS IN STRICT ACCORDANCE WITH APPROVED SHOP DRAWINGS.

INSTALLER SHALL BE QUALIFIED TO INSTALL TOILET PARTITIONS AND HAVE THE EXPERIENCE OF COMPLETING SIMILAR PROJECTS WITHIN THIS INDUSTRY.

INSTRUCTIONS FOR REVERSING HAND OF SURFACE HINGE

SHOWN
 LEFT HAND INSWING OR RIGHT HAND OUTSWING



SHOWN
 RIGHT HAND INSWING OR LEFT HAND OUTSWING

1. TO CHANGE HAND OF DOOR, REVERSE HINGE HALVES (A) & (B) AS SHOWN.
2. PINTLE MUST BE REMOVED & REPLACED AS SHOWN.